

KYTOLA® Model 2914 Constant Flow Regulator is a sturdy, industrial constant flow regulator. It is designed to provide constant flow of medium volume liquid flows in applications where supply or back pressure varies.



Model 2914 equipped with model VL flow meter

- For liquid
- High performance
- Reliable operation
- Optional Model VL flow meter for flow rate setting and monitoring

ISO 9001:2008 ISO 14001:2004



CONSTANT FLOW REGULATOR 2914

The regulator is a membrane type differential pressure controller with a built-in needle valve for flow adjustment. It is usually supplied with Model VL variable area flow meter.

FEATURES

- Two-piece stainless steel construction
- Easy maintenance
- Competitively priced

TYPICAL APPLICATIONS

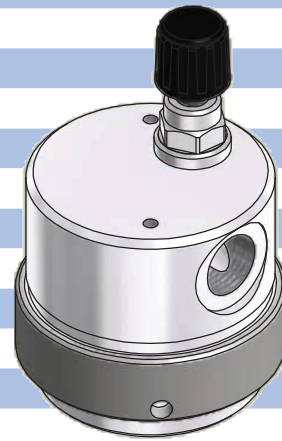
- Control of seal waters
- Control of flush waters
- Batching of liquids
- Water purging

OPTIONS

- High Δp model
- Thread adapters
- Flow meter

Model 2914

Max. flow	20 L/min H ₂ O
Nominal flow	14 L/min H ₂ O
Max. differential pressure	12 bar (*20 bar)
Max. static pressure	25 bar
Pressure drop at nominal flow	3 bar
Max. temperature	90°C (momentary 120°C)
Body	AISI 316
Valve	AISI 316
Spring	AISI 316
Membrane	EPDM
Seals	Nitrile
Connections	BSP 1/2" or NPT 1/2"
Installation position	Any required
Weight	1.8 kg



*Special construction on request

2914 ■ ■ ■ / ■

Differential Pressure

Maximum 12 bar	<i>blank</i>
Maximum 20 bar	D

Valve Size

2 mm valve for flow rates 2 L/min or below	2
3 mm valve for flow rates 5 L/min or below	3
6 mm valve for flow rates 10 L/min or below	6
9 mm valve for flow rates above 10 L/min	9

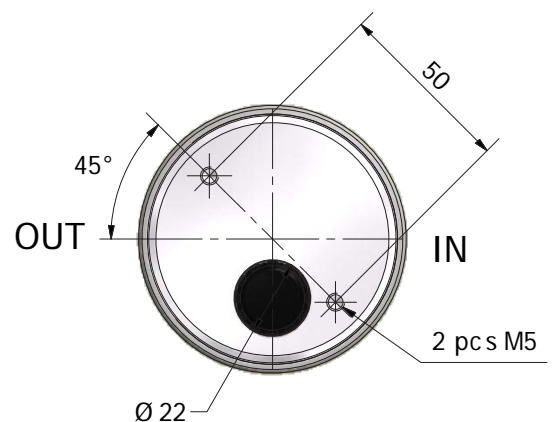
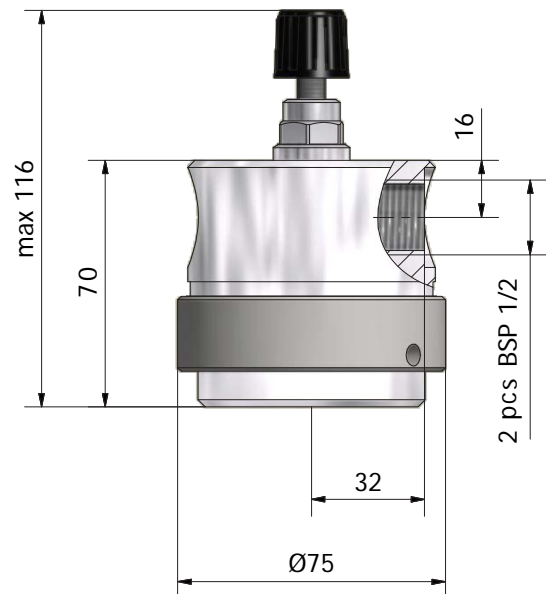
Connections

BSP 1/2"	<i>blank</i>
NPT 1/2"	N

Options

Without adapter	<i>blank</i>
Adapter for connecting to model VL flow meter	VL

Standard feature: leave *blank*
Special feature: choose Character



PERFORMANCE

